

USER MANUAL

Pharmacy Essential (AU/NZ) – Laboratory Plus (AU/NZ) Operating Instructions

083957900 – Rev 1.0 – 03/11/23
Firmware Version 1.4



www.lec-medical.co.uk



The Experts in
Medical Refrigeration

Contents

1: Models.....	3
2: Safety Instructions.....	4
3: General Recommendations.....	5
4: Product Specifications.....	6
5: Product Details.....	7
5:1 Pharmacy Essential (AU) Refrigerators – UC and FS.....	7
5:2 Laboratory Plus (AU) Refrigerators – UC and FS.....	8
5:3 Laboratory Plus (AU) Freezers - UC and FS.....	9
5:4 Laboratory Plus (AU) Refrigerator/Freezer Combi – FS.....	10
6: Installation.....	11
6:1 Positioning and using the refrigerator safely.....	11
6:2 Electrical Connections.....	12
7: Before Switching On.....	13
8: Operation.....	14
8:1 IJ Controller Overview.....	14
8:2 IJ Controller Default Operating Displays.....	15
9: Operations using the controller touch screen.....	16
9:1 Unlocking the controller.....	16
9:2 Viewing and Re-Setting Min/Max Temperatures on the controller.....	16
9:2:1 Select Air temperature.....	16
9:2:2 To View the max and min temperature.....	16
9:2:3 To reset max and min temperatures.....	17
9:3 Changing the Set Point.....	18
9:4 Initiating manual defrost.....	19
9:5 Switching Refrigeration Control Off/On.....	19
9:5:1 To switch the refrigeration control off.....	20
9:5:2 To switch the refrigeration control <i>ON</i> from <i>OFF</i> status.....	20
10: Alarms and Meanings.....	21
11: Display Codes.....	22
12: Trouble Shooting.....	23
13: Reference.....	25
13:1 List of Tables.....	25
Table 13:1.....	25
13:2 Revision Record.....	25
14: Disposal of your refrigerator.....	26
15: Contact Information.....	27

1: Models

Range	Vol L	SKU No	Model
Pharmacy Essential (AU)	158	444411299	PESR158BT-AU
		444411300	PEGR158BT-AU
	310	444411301	PESR310BT-AU
		444411302	PEGR310BT-AU
	400	444411303	PESR400BT-AU
		444411304	PEGR400BT-AU
Table 1:1			

Range	Vol L	SKU No	Model	
Laboratory Plus (AU)	158	444411778	LSFSR158BT-AU	
		444411790	LSFSR158BT-AU-ATEX	
	310	444411783	LSFSR310BT-AU	
		444411784	LSFSR310BT-AU-ATEX	
	400	444411787	LSFSR400BT-AU	
		444411788	LSFSR400BT-AU-ATEX	
	98	444411777	LSFSF98BT-AU	
		444411789	LSFSF98BT-AU-ATEX	
	242	444411779	LSFSF242BT-AU	
		444411780	LSFSF242BT-AU-ATEX	
	312	444411785	LSFSF312BT-AU	
		444411786	LSFSF312BT-AU-ATEX	
	280	444411781	LSFSC280BT-AU	
		444411782	LSFSC280BT-AU-ATEX	
	Table 1:2			

2: Safety Instructions

In this manual, the following symbols and conventions are used: -



This symbol when used alone indicates important operating instructions which reduce the risk of injury or poor performance of the unit.



WARNING: A situation which if not avoided, could result in serious injury or death.



CAUTION: A situation which, if not avoided, may result in minor or moderate injury, impaired performance, or damage to the equipment.



CAUTION: Before installing, using, or maintaining this product, please be sure to read this manual and product warning labels carefully. Failure to follow these instructions may cause this product to malfunction, which could result in injury or damage.



WARNING: Potential danger of electric shock which, if not avoided, could result in serious injury or death.



WARNING: These units are charged with hydrocarbon refrigerant. Only qualified service personnel should service these units.



The snowflake symbol indicates extreme low temperatures and high risk of frostbite. Do not touch bare metal or samples with unprotected body parts.



WARNING: This symbol indicates a need to use gloves during the indicated procedures. If performing decontamination procedures, use chemically resistant gloves. Use insulated gloves for handling samples to avoid potential frostbite.

3: General Recommendations

Intended Use and Special Warning

This equipment is tested in compliance with established regulations and then shipped ready for use. This equipment is intended for cold storage and is not to be used in the presence of explosive gases or mixtures and/or close to sources with high magnetic or electric fields/



WARNING: These units are not medical devices and have not been registered with a medical device regulatory body (e.g., MDD/MDR). These products have not been evaluated for the storage of samples for diagnostic use, nor for samples to be re-introduced into the body.



WARNING: Do not damage the refrigeration circuit



WARNING: Do not use electrical equipment inside the storage unless they are of the type recommended by the manufacturer.



WARNING: Keep ventilation openings, in the equipment enclosure or in the built-in structure, clear of obstruction.



WARNING: Do not use mechanical devices or other means to accelerate the defrosting process, other than those recommended by the manufacturer

Energy Saving Tips

This equipment uses energy efficient R600a refrigerant.

To keep running costs as low as possible always:

- Position the equipment away from heat sources.
- Make sure the air can circulate freely around the equipment, don't block ventilation grid.
- Ensure that products being stored are below room temperature upon entry.
- Make sure the door is opened as little as possible while in use and closed as quickly as possible to prevent unnecessary temperature fluctuations.

Important Information



R600a

The refrigerator contains environment-friendly, non-ozone depleting refrigerant R600a. As R600a is a flammable gas, it is important to avoid damage to the refrigeration circuit during transport and installation. If the refrigeration circuit is damaged, avoid using a naked flame in the vicinity of the refrigerator and connecting power to the refrigerator. Also make sure there is good ventilation in the room. If you are in doubt, please contact your supplier.



This appliance can be used by children aged from 8 years and above and persons with reduced physical, sensory, mental capabilities if they have been given supervision or instruction concerning use of the appliance by a person responsible for their safety. Children must not play with the appliance. Children must not carry out cleaning or user maintenance under any circumstances.

4: Product Specifications

This range of LEC refrigerators and freezers have been designed and built with the intention of the product being used within pharmacies, hospitals, and laboratories.

Please see below for specific product information.

Pharmacy Essential (AU) Range Refrigerators										
SKU No	Model	Height (mm)	Width (mm)	Depth Inc Handle (mm)	Weight (Kg)	Rating (Amp)	Power (W)	Temperature Range	Ambient Temperature	Refrigerant
444411299	PESR158BT-AU	850	595	660	33.3	0.78	101	2°C to 8°C	16°C to 32°C	R600a
444411300	PEGR158BT-AU	850	595	660	33.3	0.78	101	2°C to 8°C	16°C to 32°C	R600a
444411301	PESR310BT-AU	1560	595	660	50.0	0.65	88	2°C to 8°C	16°C to 32°C	R600a
444411302	PEGR310BT-AU	1560	595	660	58.0	0.65	88	2°C to 8°C	16°C to 32°C	R600a
444411303	PESR400BT-AU	1925	595	660	61.8	0.65	88	2°C to 8°C	16°C to 32°C	R600a
444411304	PEGR400BT-AU	1925	595	660	74.8	0.65	88	2°C to 8°C	16°C to 32°C	R600a

Table 4:1

Laboratory Plus (AU) Refrigerators										
SKU No	Model	Height (mm)	Width (mm)	Depth Inc Handle (mm)	Weight (Kg)	Rating (Amp)	Power (W)	Temperature Range	Ambient Temperature	Refrigerant
444411778	LSFSR158BT-AU	850	595	660	17.9	0.78	101	2°C to 10°C	16°C to 32°C	R600a
444411790	LSFSR158BT-AU-ATEX	850	595	660	17.9	0.78	101	2°C to 10°C	16°C to 32°C	R600a
444411783	LSFSR310BT-AU	1560	595	660	49.0	0.47	60	2°C to 10°C	16°C to 32°C	R600a
444411784	LSFSR310BT-AU-ATEX	1560	595	660	49.0	0.47	60	2°C to 10°C	16°C to 32°C	R600a
444411787	LSFSR400BT-AU	1925	595	660	66.0	0.49	66	2°C to 10°C	16°C to 32°C	R600a
444411788	LSFSR400BT-AU-ATEX	1925	595	660	66.0	0.49	66	2°C to 10°C	16°C to 32°C	R600a

Table 4:2

Laboratory Plus (AU) Freezers										
SKU No	Model	Height (mm)	Width (mm)	Depth Inc Handle (mm)	Weight (Kg)	Rating (Amp)	Power (W)	Temperature Range	Ambient Temperature	Refrigerant
444411777	LSFSF98BT-AU	850	595	660	42.0	0.62	80	-18°C to -25°C	16°C to 32°C	R600a
444411789	LSFSF98BT-AU-ATEX	850	595	660	42.0	0.62	80	-18°C to -25°C	16°C to 32°C	R600a
444411779	LSFSF242BT-AU	1560	595	660	65.0	0.86	88	-18°C to -25°C	16°C to 32°C	R600a
444411780	LSFSF242BT-AU-ATEX	1560	595	660	65.0	0.86	88	-18°C to -25°C	16°C to 32°C	R600a
444411785	LSFSF312BT-AU	1925	595	660	84.1	1.35	130	-18°C to -25°C	16°C to 32°C	R600a
444411786	LSFSF312BT-AU-ATEX	1925	595	660	84.1	1.35	130	-18°C to -25°C	16°C to 32°C	R600a

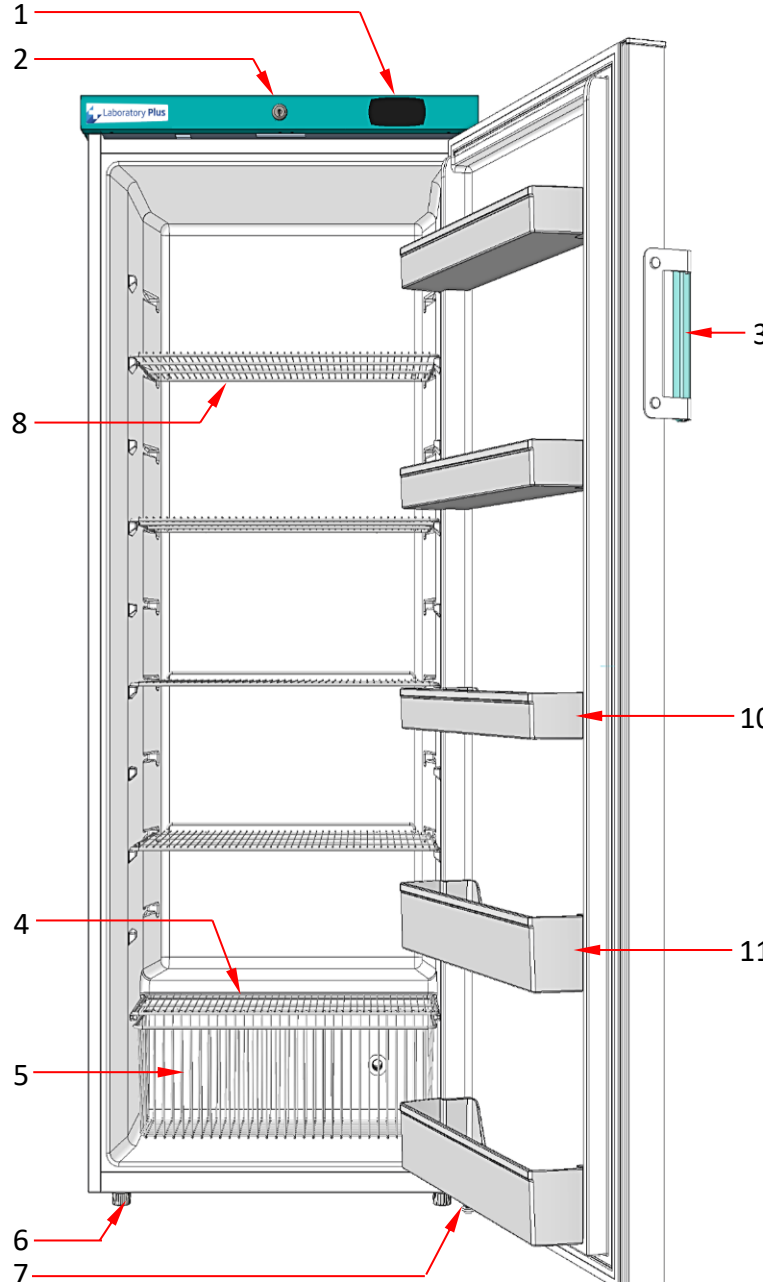
Table 4:3

Laboratory Plus Fridge/Freezer (AU) Combi										
SKU No	Model	Height (mm)	Width (mm)	Depth Inc Handle (mm)	Weight (Kg)	Rating (Amp)	Power (W)	Temperature Range	Ambient Temperature	Refrigerant
444411781	LSFSC280BT-AU	TBC	595	660	TBC	TBC	TBC	Fr +2°C to +10°C	16°C to 32°C	R600a
								Fz -18°C to -25°C		
444411781	LSFSC280BT-AU	TBC	595	660	TBC	TBC	TBC	Fr +2°C to +10°C	16°C to 32°C	R600a
								Fz -18°C to -25°C		

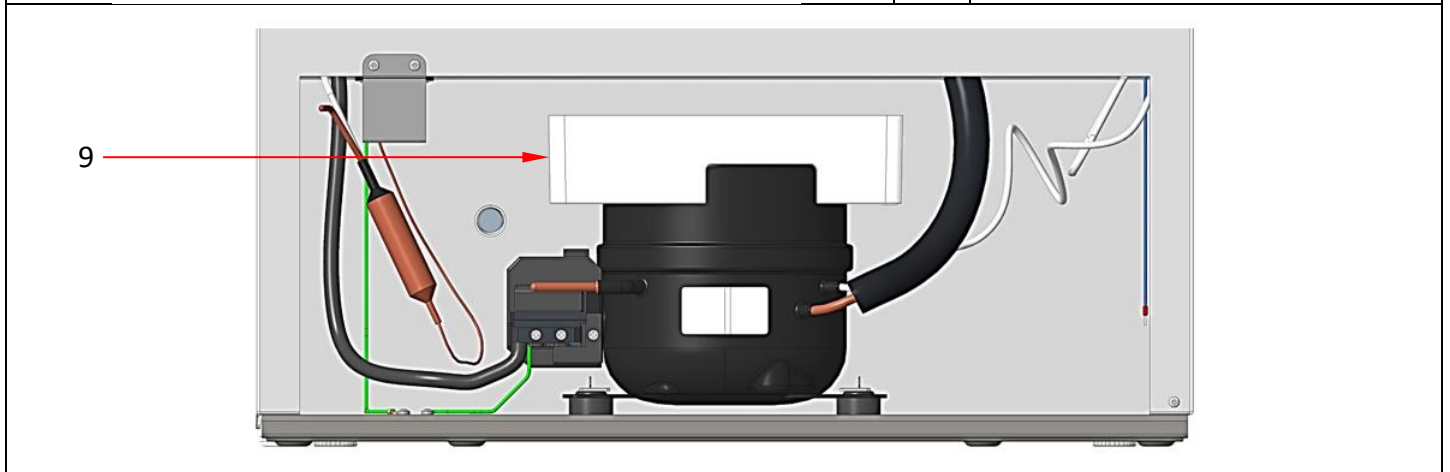
Table 4:4

Product Details cont.

5:2 Laboratory Plus (AU) Refrigerators – UC and FS



Details Families 158L, 310L, 400L	
1	Controller
2	Key lock
3	Antimicrobial handle
4	Fixed wire shelf - qty 1
5	Wire Basket
6	Adjustable feet two at front
7	Door support foot not on 158L
Details Family Specific	
8	Movable wire shelves - 158L qty 3
8	Movable wire shelves - 310L qty 4
8	Movable wire shelves - 400L qty 6
10	Door tray shallow – 158L qty 2
10	Door tray shallow – 310L qty 3
10	Door tray shallow – 400L qty 4
11	Door tray deep – 158L qty 1
11	Door tray deep – 310L qty 2
11	Door tray deep – 400L qty 3
Details Range Specific	
9	Drip tray - all ranges



Compressor housing Laboratory Plus (Refrigerator)

Table 5:2

6: Installation

6:1 Positioning and using the refrigerator safely



WARNING: To reduce the risk of the unit falling over, do not tip beyond 10 degrees

- Make sure the equipment is placed in a dry, well-ventilated site, away from heat sources.
- The equipment must be placed on a level surface. If necessary, adjust the feet on the product so the equipment remains level during operation. See Section 7.
- The equipment should have enough clearance around it to provide adequate ventilation – 10cm at each side, 6cm at the rear and 2.5cm at the top.
- When positioning the appliance, ensure the supply cord is not trapped or damaged.
- If the main power supply cord is damaged, it should be replaced by a qualified service engineer.
- Before ANY maintenance activity, pull the plug out of the socket by gripping the plug, DO NOT pull on the plug cord.
- DO NOT use extension cords.
- DO NOT locate multiple portable sockets-outlets or portable power supplies at the rear of the appliance
- If the main power supply cord is damaged, it should be replaced by a qualified service engineer.
- DO NOT attempt any repairs to the equipment yourself (apart from those highlighted in the Maintenance and Service Section). Repairs carried out by someone without the relevant training are putting their personal safety at risk and will invalidate your warranty.
- Do not store explosive substances such as aerosol cans with a flammable propellant in this equipment.



WARNING: This equipment is only to be operated by authorized personnel or personnel who have correct knowledge on how the equipment operates.

- Use this product only in the way described in the product literature and in this manual. Before using it, verify that this product is suitable for its intended use. If the equipment is used in a manner not specified by the manufacturer, the protection provided by the equipment may be impaired.

- DO NOT modify system components, especially the controller. Use LEC Medical exact replacement equipment or parts. Before use, confirm that the product has not been altered in anyway
- Your unit must be properly grounded in conformity with national and local electrical codes. Never connect the unit to overloaded power sources.
- Disconnect the unit from all power sources before cleaning, troubleshooting, or performing other maintenance on the product or its controls.

Transporting and Moving the Refrigerator

The refrigerator must always be moved in the vertical position. The cabinet must not be tilted any more than 40°. If the cabinet is tilted more than 40°, the power supply must not be connected until the equipment has stood upright for at least 24 hours. Necessary equipment to move the product is to be arranged by the user.

Electrical Connection

The equipment is intended for connection to alternating current. The connection values for voltage (V) and frequency (Hz) are declared on the name plate in the cabinet. Power must be connected via a wall socket with a switch. It is strongly recommended that the wall socket is easily accessible. All earthing requirements stipulated by the local electricity authority. The cabinet plug and wall socket should give correct earthing. If in doubt, contact your local supplier or an authorized electrician.



THIS EQUIPMENT MUST BE EARTHED.

If the supply cord is damaged, it must be replaced by the manufacturer, its service agent or similarly qualified persons in order to avoid a hazard.

The flexible cord (mains lead) fitted to this equipment has three cores for use with a 3-pin 13-amp plug. If a BS 1363 (13-amp) fused plug is used it should be fitted with a 13-amp fuse. The cores in the mains lead are coloured in accordance with the following code:

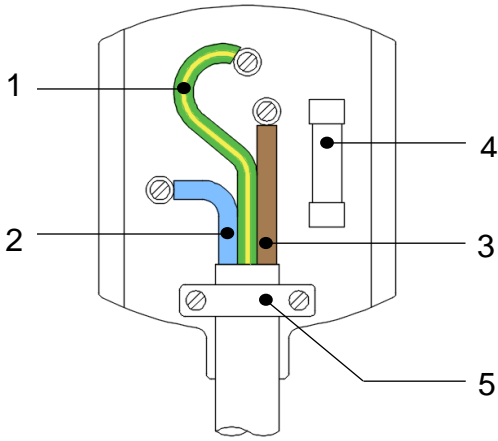
GREEN AND YELLOW: EARTH

BLUE: NEUTRAL

BROWN: LIVE

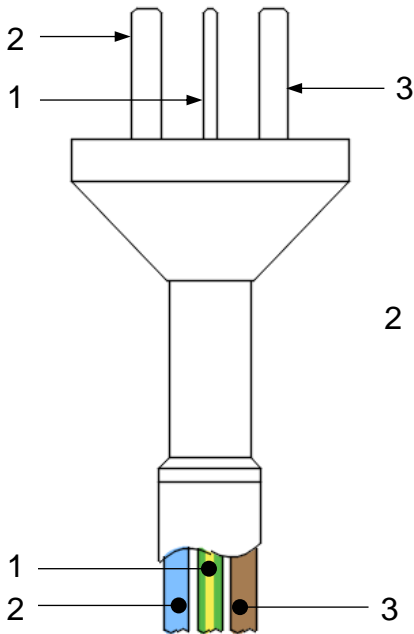
These colours might not correspond with the colour markings identifying the terminals in your plug.

6:2 Electrical Connections



- 1: Green Yellow
- 2: Blue
- 3: Brown
- 4: 13 Amp Fuse
- 5: Cord Clamp

UK Style Plug



- 1: Earth - *Green/Yellow*
- 2: Neutral - *Blue*
- 3: Active - *Brown*

Australian Style Plug

Note:

First Connection to the mains.

The equipment provides information about the higher temperature (Hi alarm) till the moment of cooling.

The alarm is signaled by a sound signal and "Hi" caption on the display.

To mute the alarm touch anywhere on the front surface of the controller.

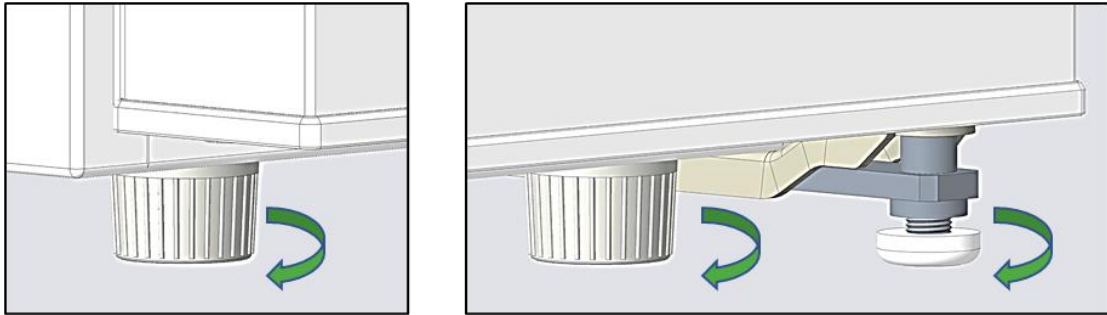
Until the moment of cooling, the alarm is repeated every 10 minutes. Such an operating mode is normal until the required temperature settings are reached.

7: Before Switching On

Thank you for purchasing this LEC Pharmacy/Laboratory Refrigerator

Before you first use this pharmacy refrigerator, please carry out the following actions: -

- Check that the refrigerator has not been damaged in any way during transportation.
- If any damage is found it must be reported to your local dealer immediately.
- Ensure all packaging has been removed, including cardboard, polystyrene and any tape used to hold shelves in place for transportation.
- The refrigerator has been cleaned prior to dispatch; however, we advise that it should be cleaned using lukewarm water containing a mild detergent and a soft cloth prior to switching on.
- Ensure the fridge/freezer is level by adjusting the two feet at the front of the unit. For the larger volume units 310L, 400L, 242L, 312L ensure the third foot is fully up before levelling the unit.

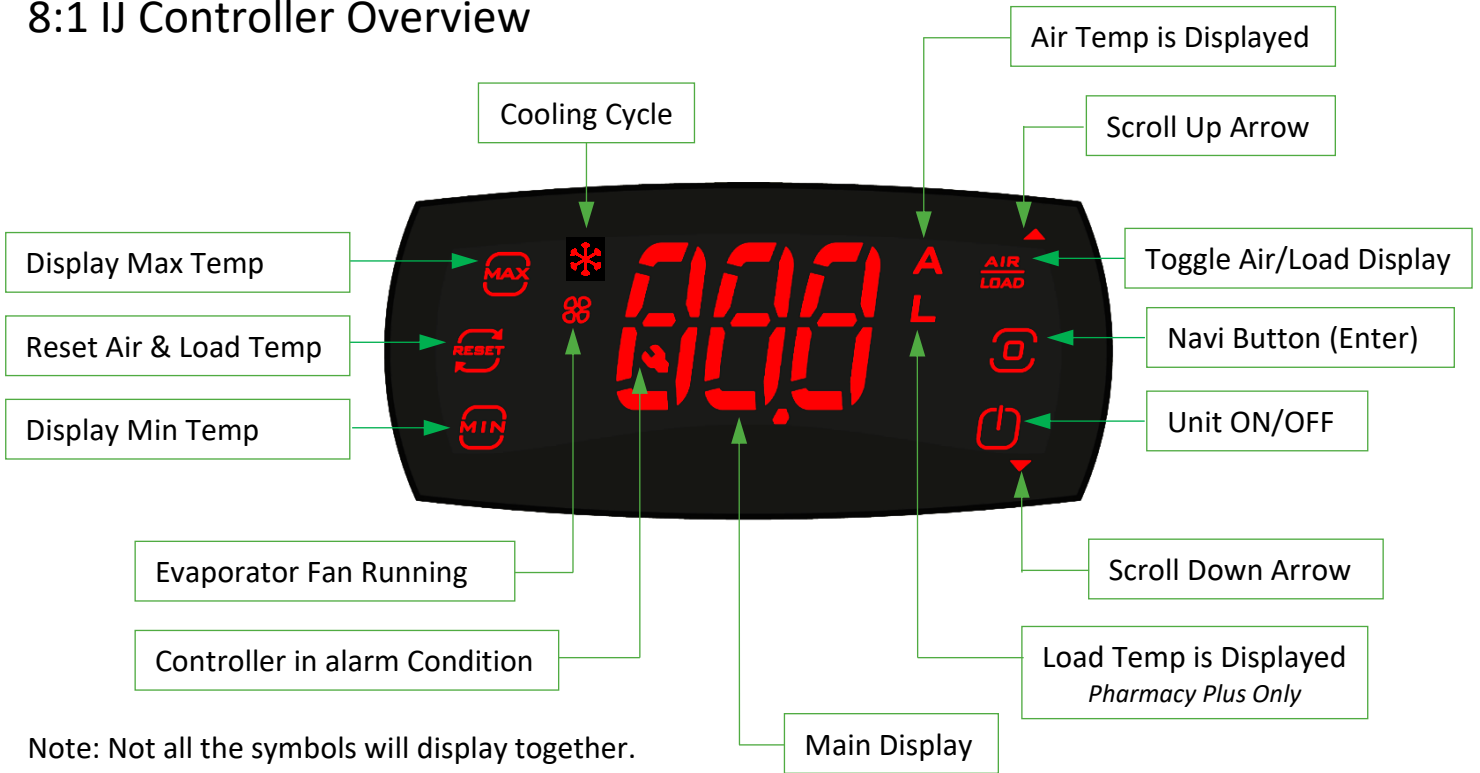


When the unit is level adjust the third foot, so it touches the floor.

- We recommend that the refrigerator should be left in an upright position preferably in the place where it will be used for 24 hours prior to switching on for the first time.

8: Operation

8:1 IJ Controller Overview



Note: Not all the symbols will display together.

Symbol	Description	Function
A	Air Temperature Displayed	Indicates that the AIR temperature is being displayed as selected by the AIR/LOAD Button.
▲	Scroll Up Arrow	Button to scroll up through menus and values.
AIR LOAD	Toggle Air/Load Display	Switches between Air and Load temperatures.
⏏	Navi Button (Enter)	Used to confirm actions and input values and to unlock the controller by keeping pressed for 3 seconds.
⏏	Unit ON/OFF	Press for 3 seconds the unit will switch off. The controller will flash between current selected temperature A or L and "OFF".
▼	Scroll Down Arrow	Button to scroll down through menus and values.
L	280L Fz Temperature Displayed	FREEZER temperature is being displayed on the 280L Combi selected by the AIR/LOAD Button. Pharmacy & Lab Plus = 0.0
000	Main Display	Temperatures, alarms, menus, parameter values are displayed here.
🔔	Controller in Alarm Condition	If this symbol is displayed the controller is in an alarm condition. It will clear when the alarm/fault is cleared.
🌀	Evaporator Fan Running	Indicates when the evaporator fan is running under the intelligent fan control system.
MIN	Display Minimum Temperature	After unlocking the controller, pressing this button will display the minimum recorded temperature since the last reset.
RESET	Reset Air & Load Temperature	Used to access the reset minimum and maximum temperature function. Both Air and Load Temperatures will be reset.
MAX	Display Maximum Temperature	After unlocking the controller, pressing this button will display the maximum recorded temperature since the last reset.
❄️	Cooling Cycle	Indicates when the appliance is in cooling cycle. Will flash if the controller is waiting to run the cooling cycle.

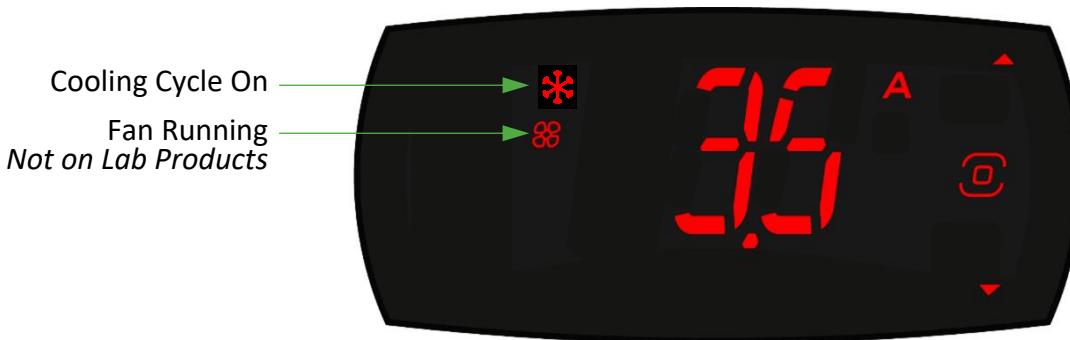
Table8:1

8:2 IJ Controller Default Operating Displays

8:2:1 IJ controller “LOC” displaying Air Temperature no system faults or alarms.



8:2:2 IJ controller “LOC” displaying Air Temperature no system faults or alarms and displaying compressor and fan status.



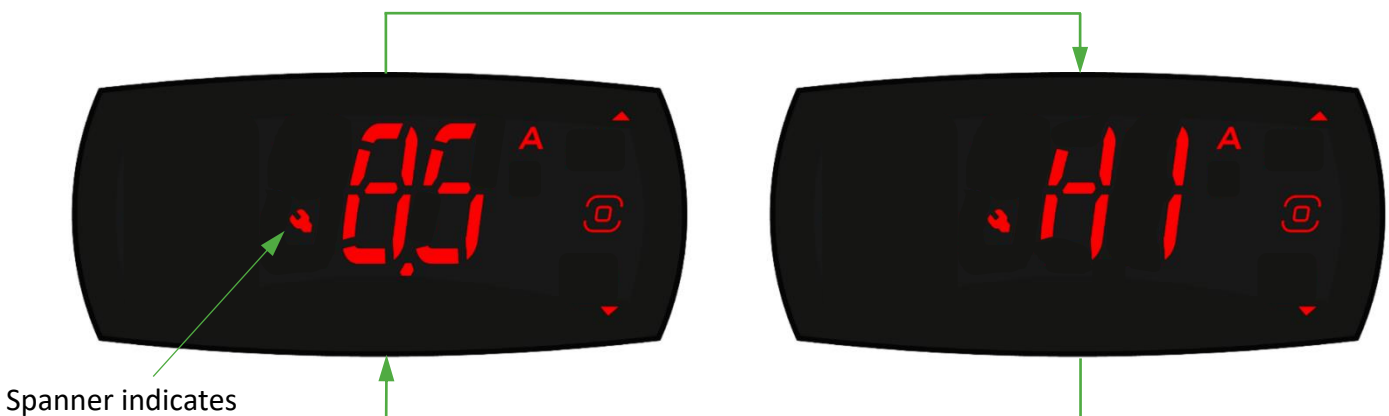
8:2:3 IJ controller “UNLOC” displaying Load Temperature no system faults or alarms.

Note: The load probe function is disabled on (AU/NZ) Refrigerators therefore “L” will display 0.0.

On the 280L combi “L” Will display the freezer temperature.



8:2:4 IJ controller alternating the current Air Temperature and the alarm status HI – High Air Temperature. (HI used only as an example, for a full list of alarms see section 10).



Note: Temperatures shown in all the above displays are for example only.

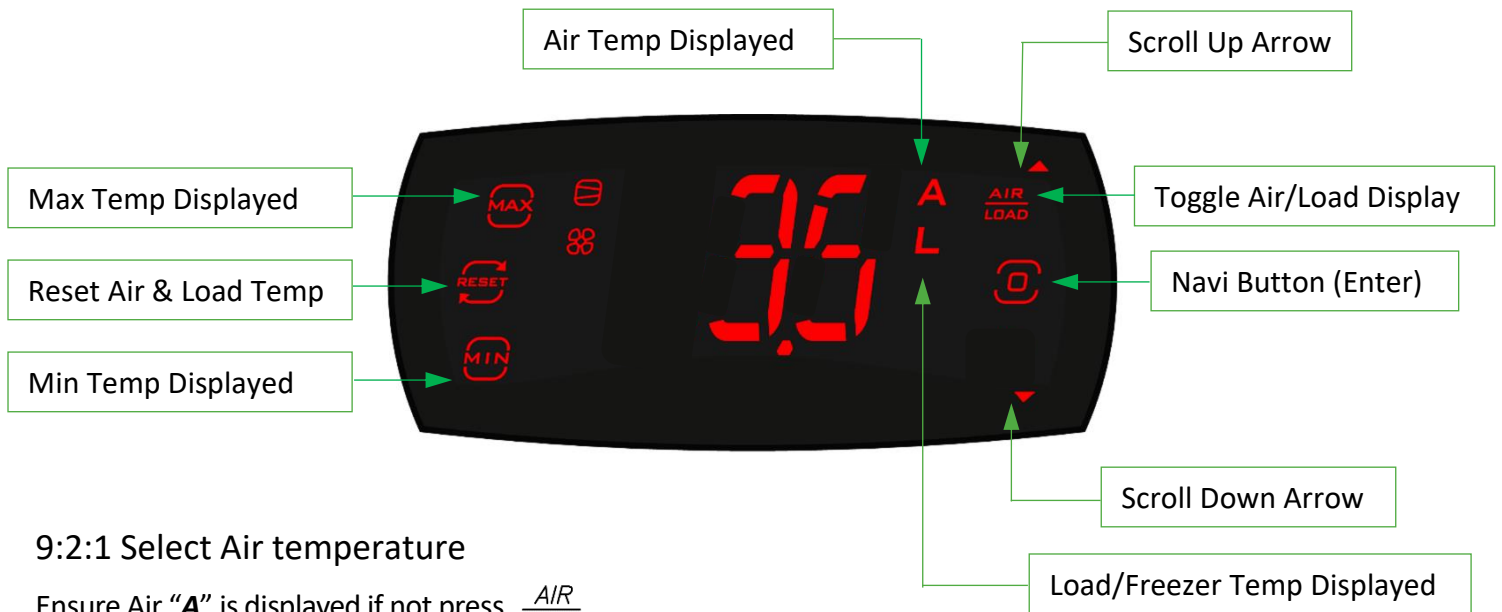
9: Operations using the controller touch screen

9:1 Unlocking the controller



NOTE: Controller will return to LOC status if no key is pressed within 12 seconds

9:2 Viewing and Re-Setting Min/Max Temperatures on the controller



9:2:1 Select Air temperature

Ensure Air "A" is displayed if not press $\frac{AIR}{LOAD}$



The controller displays **A**

9:2:2 To View the max and min temperature

Press $\frac{MAX}{MIN}$ to display the max temperature, press again to return to current temperature.

Press $\frac{MIN}{MAX}$ to display the min temperature, press again to return to current temperature.



Max temperature displayed



Min temperature displayed


9:2:3 To reset max and min temperatures

Unlock the controller see section 9:1



Press  to display reset options.




Press  Navi button to confirm “no” Do Not Reset. (Controller returns to “**LOC**” Status)

or

Press  or  to display reset option “yES”



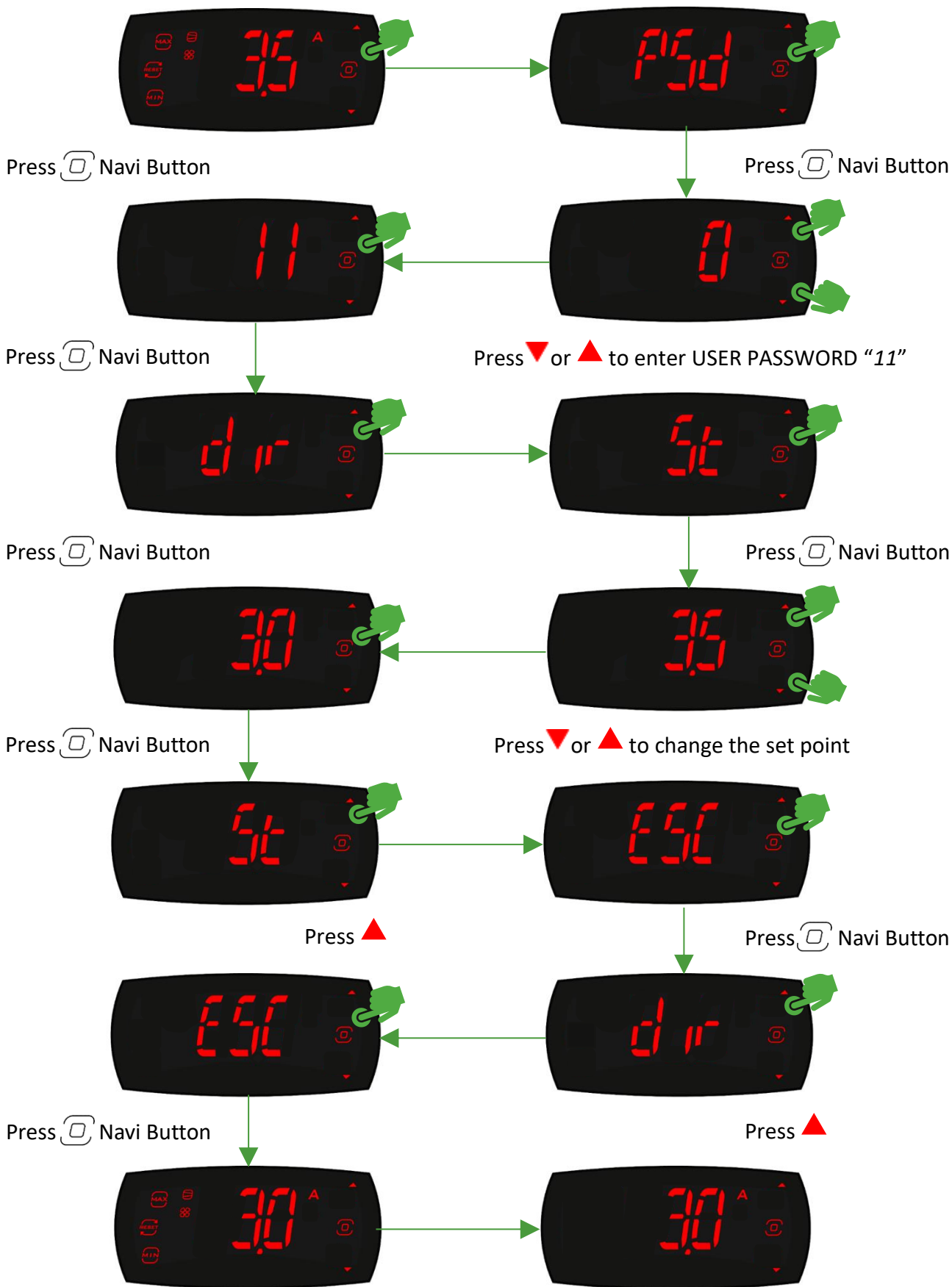
Press  Navi button to confirm “yES” Max and Min temperatures reset. (Controller returns to **LOC** Status)

Both air and load maximum and minimum temperatures will be RESET to current values.

If no buttons are pressed for 12 seconds controller returns to **LOC Status**

9:3 Changing the Set Point

Unlock the controller see section 9:1



Controller returns to **Unlocked** status

After 12 secs controller returns to **LOC** status

If at any stage no buttons are pressed for 12 seconds controller returns to **LOC** status

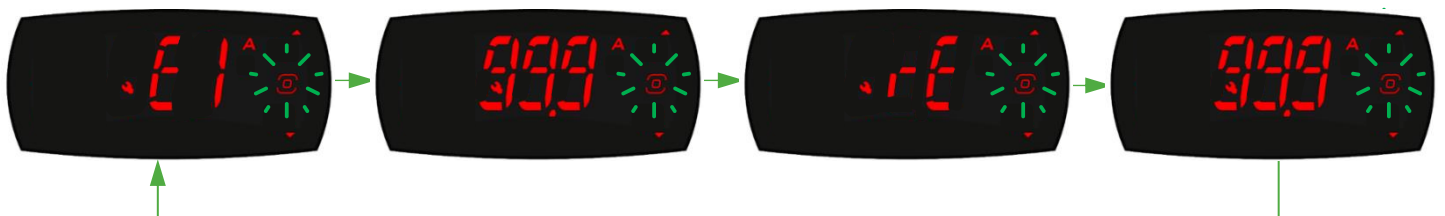
10: Alarms and Descriptions

Display Code	Description	Icon Display	Remote Alarm	Buzzer	Reset
<i>dA</i>	Delayed alarm activation. The controller monitors the external alarm input continually, the alarm will be activated immediately or after the alarm delay time. <i>(See table ** for factory default settings).</i>	YES	YES	YES	Automatic
<i>dor</i>	Door Open. The door has been open for longer than is recommend in order to keep the appliance air temperature below the high temperature threshold.	YES	YES	YES	Automatic
<i>E1</i>	Air temperature probe error. The air temperature probe and/or associated wiring has failed. This will result in the appliance being inoperable. <i>(Contact After Sales Services as soon as possible).</i>	YES	YES	YES	Automatic
<i>E2</i>	Load/Freezer temperature probe error. <i>(Pharmacy Plus and 280L Combi Only)</i> The load temperature probe and/or associated wiring has failed. The appliance will work, load temperature not monitored. <i>(Contact After Sales Services as soon as possible).</i>	NO	NO	NO	Automatic
<i>Etc</i>	Internal Clock Error. The real time clock is no longer synchronised with the process. The appliance will run normally but connection to app may not be possible. <i>(This is very unlikely, contact After Sales Services).</i>	NO	NO	NO	Manual
<i>HI</i>	High temperature alarm. The appliance air temperature has been above high temperature threshold for more than the allotted time. <i>(See table ** for factory default settings).</i>	YES	YES	YES	Automatic
<i>LO</i>	Low temperature alarm. The appliance air temperature has been below the low temperature threshold for more than the allotted time. <i>(See table ** for factory default settings).</i>	YES	YES	YES	Automatic
<i>rsF</i>	Refrigeration system failure. The air temperature is not reducing at the expected rate. <i>(This is a rare occurrence, contact After Sales Services as soon as possible).</i>	YES	YES	YES	Manual
<i>rE</i>	Control probe fault. This indicates that the probe being used as the control probe (E1) by the controller has failed. The controller display's as shown 10:1. <i>(Contact After Sales Services as soon as possible).</i>	YES	YES	YES	Automatic
<i>bAt</i>	Batter faulty or not connected. This indicates a fault with the battery connections, faulty battery, or battery charging circuit. <i>(Pharmacy Plus Only)</i>	YES	YES	YES	Automatic

Table 10:1

10:1 Control Probe Fault (*rE*)

In the event of a Control Probe Fault (*rE*) the controller will display four screens alternatively as shown here.



11: Display Codes

Display Code	Description
Loc	This display indicates the controller is locked; follow the procedure Section 11:1 to unlock the controller, function of the appliance is not affected.
Off	This display indicates the appliance control is switched OFF – the display will alternate between the current Air Temperature and “OFF”. Control can be switched off directly from the controller section 9:5
dfn	This indicates the appliance is performing an automatic defrost it will flash alternatively with the current refrigerator temperature.

Table 11:1

12: Trouble Shooting

Problem	Solution/Action
Appliance is not working	<p>1: Check the appliance is plugged in and the socket is switched on.</p> <p>2: Check the mains lead is plugged into to appliance and is secure.</p> <p>3: Check/replace the fuse in the mains plug</p> <p>4: Check the voltage is correct for the appliance.</p> <p>5: Check the socket is working, plug in a known working device. If the working device works, contact service surport.</p> <p>6: Check for a power cut.</p> <p>7: During a power cut, appliances with battery backup will display as shown in 12:1:1.</p> <p>8: Check the appliance is not in manual defrost see Section 11:4.</p>
Backup battery not charging	<p>1: Check/replace the fuse as shown in section 7, observe fuse rating.</p> <p>2: If the fuse is proven to be sound the battery and/or the controller are likely to be faulty, contact service surport.</p>
Appliance not maintaining specified temperature, min/max temperatures out of range.	<p>1: Check door is fully closed and sealed. If the door seal appears to be damaged contact customers services for a replacement.</p> <p>2: Check the access port is sealed correctly.</p> <p>3: Check the appliance is suitable for the ambient temperature it is located in. All LEC Medical appliances are designed to work in ambient temperatures between 16°C and 32°C except the Neonatal range where the ambient temperatures are between 25°C and 32°C.</p> <p>4: Check the appliance has sufficient air flow around it as specified in Section 6.</p> <p>5: Check the appliance is in a suitable location. Avoid locating the appliance in constant direct sunlight (especially the glass door appliances) or close to other heat sources such as a radiator.</p> <p>6: Check the appliance is not overloaded, maintain sufficient spacing of the products to allow sufficient air circulation.</p> <p>7: Door opened too often and/or for too long. The door open alarm “dor” is pre-set at 15 secs for the 47L family of appliances and 30 secs for all other appliance families. Should it be necessary to keep the door open for longer periods of time and the “HI” temperature alarm has been activated, it is recommended that when to door is closed the temperature is allowed to stabilize before carrying out a min/max reset. This is in line with recommendations in the DH Green Book.</p> <p>8: Check the internal fan is running correctly, this can be done by observing the fan when opening the door. The fan will continue to run for a few seconds without power (<i>i.e. door open</i>). If the fan has already stopped this could be an indication it is not running correctly, if there is any doubt the fan is not running correctly, please call service surport.</p> <p>9: In some cases, it may be necessary to decrease or increase the “Set Point” It is strongly recommended to use the LEC Medical app to change the set point see Section 9:3 Please note the “Set Point” can only be set with in the factory pre-set limits. If in the unlikely event the “Set Point” needs to be changed outside of the limits, please contact surport services.</p>

Table 12:1

Trouble Shooting cont.

Ice in the fridge	<p>1: A small accumulation of frost and/or ice on the rear internal wall is normal, the system is designed to allow for a short defrost during the time the cooling cycle is not running. In extreme cases such as during periods of very high humidity (>70%) manual defrost may be necessary. To initiate a manual defrost see Section 11:4</p>
Water in the fridge	<p>1: During the defrost cycle the frost/ice melts and into the drain hole in the centre of the rear wall just above the basket. Check this is clear so water can exit the appliance.</p>
Condensation on glass door appliances	<p>1: During the period the door is open condensation will form, it will clear after closing the door usually within 2 minutes depending on ambient temperature, humidity, and appliance volume.</p> <p>2: A small amount of condensation may also form with door closed if the ambient temperature and/or humidity is particularly high (>65%RH) or the fridge is over full.</p> <p>3: This is a normal part of the refrigeration cycle and is nothing to be concerned about. All LEC Medical appliances are designed to operate at 16°C to 32°C at up to 60%RH.</p>
Sides of the appliance are hot	<p>1: All LEC pharmacy and lab fridges and freezers have the condenser in the side walls, during normal operation the side walls will give out heat, this it will be more intense during the cooling cycle and is nothing to be concerned about.</p>
Appliance is noisy	<p>1: A gurgling sound will be made by the refrigeration system; this is perfectly normal.</p> <p>2: In a particularly quiet location the internal fan may be heard when running; this is perfectly normal.</p> <p>3: Appliance not level and/or stable. See Section 7.</p>
Appliance is rocking	<p>1: For the appliance to work efficiently it must be level and stable. Please ensure the levelling process in Section 7 is carried preferably before switching the appliance on.</p>
Secondary temperature monitoring shows different temperature than the controller.	<p>1: The temperature displayed by the controller is calculated based on data from the air probe, the set point is set in order to maintain the temperature as evenly as possible from top to bottom of the appliance, however an independent thermometer placed in different parts of the refrigerator may read slightly different to the display.</p> <p>2: The controller that monitors and controls the appliance temperature is extremely accurate, however the DH Green book now recommends that pharmacy appliances are calibrated annual.</p>
Alarms do not react immediately	<p>1: Alarms are monitored and activated by the controller; various delays are built into the activation of some alarms. For example, the HI and LO alarms are delayed for 10 minutes this delay allows the appliance to stabilize below/above the alarm thresholds because in 10 minutes it is unlikely that the load temperature will have gone above/below the minimum/maximum temperature.</p>

Table 12:1

13: Reference

13:1 List of Tables

Table	Description	Page	Section
1:1	Pharmacy Essential (AU) Models	2	1:0
1:2	Laboratory Plus (AU) Models	2	1:0
4:1	Product Specifications Pharmacy Essential (AU) Range	5	4:0
4:2	Product Specifications Laboratory Plus (AU) Refrigerators	5	4:0
4:3	Product Specifications Laboratory Plus (AU) Freezers	5	4:0
4:4	Product Specifications Laboratory Plus Fridge/Freezer (AU) Combi	5	4:0
5:1	Product details - Pharmacy Essential (AU) Refrigerators -UC and FS	6	5:1
5:2	Product details - Laboratory Plus (AU) Refrigerators – UC and FS	7	5:2
5:3	Product details - Laboratory Plus (AU) Freezers - UC and FS	8	5:3
5:4	Product details - Laboratory Plus (AU) Refrigerator/Freezer Combi – FS	9	5:4
8:1	IJ Controller Default Operating Display Symbols	13	8:1
10:1	Alarm displays and descriptions	20	10:0
11:1	Controller Display Codes	21	11:0
12:1	Trouble Shooting	22	12:0
13:1	List of Tables	24	13:1
13:2	Revision Record	24	13:2

Table 13:1

13:2 Revision Record

Revision Record				
Rev	Description	Rev	Date	By
A	First Issue	1.0	03/11/23	CB

Table 13:2

14: Disposal of your refrigerator

WEEE: Disposal at end of life.

WARNING: This appliance contains insulation, gases and refrigerant and must be disposed of in the appropriate manner. Please ensure the appliance is disconnected, emptied, and clearly labelled by an authorized person.

When the appliance is being disposed of in an EU Member State, it is subject to the Waste Electrical and Electronic Equipment Regulations (WEEE). It must be recycled and disposed of in accordance with EU directive 2002/96/EC as applied in local laws of that State at the time of disposal.

As this item is designed for medical use, before presenting for collection and disposal it will be necessary for the user to provide documentary evidence of decontamination and/or that it is entirely safe to handle and dismantle outside of a controlled environment. Goods that cannot be so certified fall outside the scope of the Directive and remain the user's responsibility to dispose of.

A relevant label has been placed on the appliances packaging (see below). The product has been manufactured of recyclable materials.



If in doubt with any of the above information, please contact the manufacturer or your local authority for advice on how best to dispose of this product.

15: Contact Information

ROLLEX MEDICAL NZ

Telephone: +64 9 274 0707
Sales Email: sales@rollexmedical.co.nz
Service Support: service@rollexmedical.co.nz
Web: www.rollexmedical.co.nz



www.rollexmedical.co.nz

ROLLEX MEDICAL AUSTRALIA

Telephone: 1300 880 441
Sales Email: sales@rollexmedical.com
Service Support: service@rollexmedical.com
Web: www.rollexmedical.com.au



www.rollexmedical.com.au